

800 ML LIQUID BIB SYSTEM DISPENSER

**REN02487
(880379)
REN02514**

Description:

800 mL bag-in-box system. Quick and easy reloading of SANITARY SEALED™, 800 mL bag-in-box refills. Portion controlled. Refill bags empty completely to eliminate waste. ADA compliant for push force. Lifetime guaranteed.

- Portion-controlled, sanitary-sealed refills
- Refills empty completely
- ADA compliant for push force

Specifications:

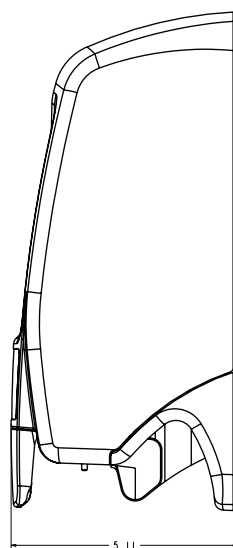
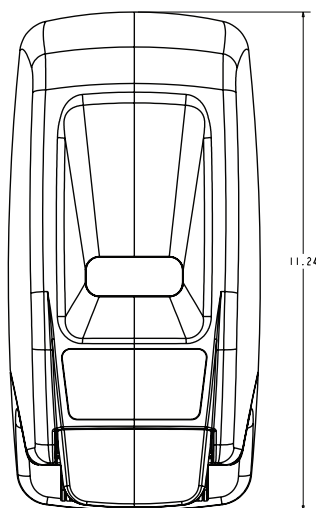
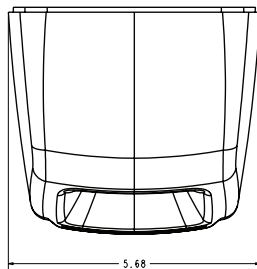
Uses Cartridge:

- REN02484 (880381) Pink Lotion Handwash
- REN02485 (880380) Antimicrobial Handwash

Dispenser Color:

- REN02487 (880379) - Ceramic White
- REN02514 – Black

Case Pack: 12/case



*Traditional-Style
Bag-in-Box
Systems*

800 Bag-In-Box

